

Customer: _____

Address: _____

Contact: _____

Phone: _____

Fax: _____

Page No.: ____ of ____

Customer Order No.: _____

Date Ordered: _____

Date Required: _____

Alterations and cancellations must be made within 4 hours of the order being placed. Any alterations and cancellations after this time could incur a charge. All alterations must be in writing quoting the order number.

Door Type:

Arched: **Square:**

Arch Type: _____

Door Colour:

Supa Matt: **Premier Matt:** **Breeze:**

Satin: **Woodgrain:** **Gloss:**

Edge Detail:

EDGE MOULD AS PER BROCHURE UNLESS OTHERWISE STATED

6mm Pencil Round

Ogee

Stepped Pencil Round

2mm Pencil Round

Line No.	Qty.	Height (mm)	Width (mm)	'X' For Square Edge				Description (e.g Door, Panel, Drawers)	Customer Use
				T	B	L	R		
01									
02									
03									
04									
05									
06									
07									
08									
09									
10									
11									
12									
13									
14									
15									
16									
17									
18									
19									
20									
21									
22									
23		CAPPING MOULD – 2.4m LENGTHS x 38mm HIGH – STD						65mm option <input type="radio"/>	

Customer: _____
 Address: _____

 Contact: _____
 Phone: _____
 Fax: _____

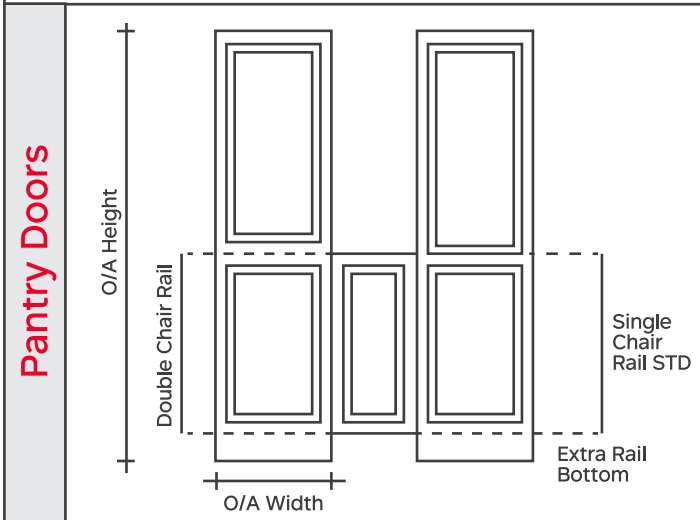
Page No.: ____ of ____

Customer Order No.: _____
 Date Ordered: _____
 Date Required: _____

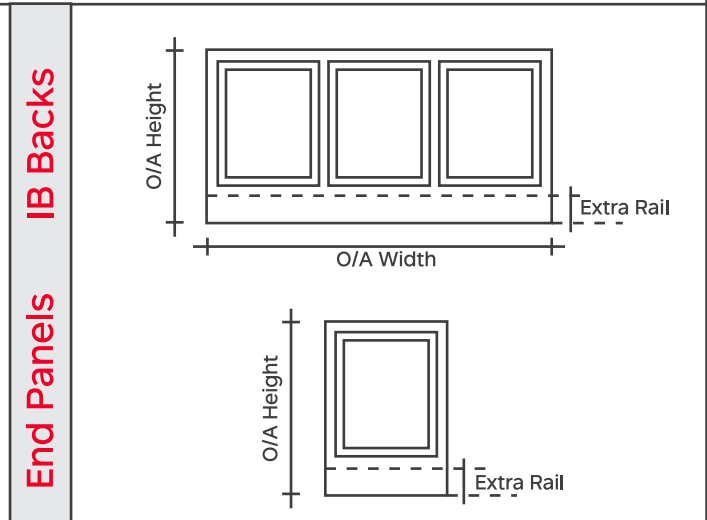
Door Type:	Arched: <input type="radio"/> Square: <input type="radio"/> Arch Type: _____	Door Colour: Supa Matt: <input type="radio"/> Premier Matt: <input type="radio"/> Breeze: <input type="radio"/> Satin: <input type="radio"/> Woodgrain: <input type="radio"/> Gloss: <input type="radio"/>
-------------------	---	--

Edge Detail:
 EDGE MOULD AS PER BROCHURE UNLESS OTHERWISE STATED

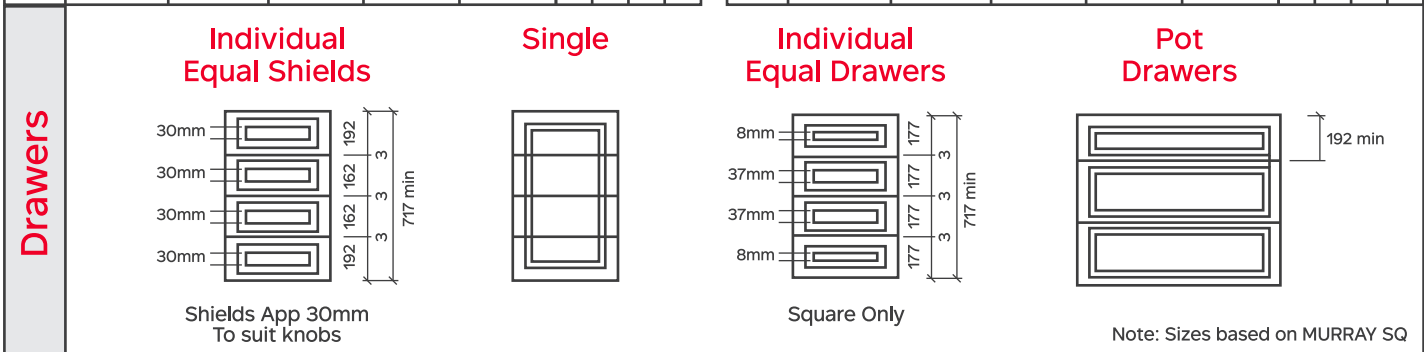
6mm Pencil Round
 Ogee
 Stepped Pencil Round
 2mm Pencil Round



Qty	O/A Height	O/A Width	Chair Rail Height	Chair Rail Type	Extra Rail Bottom	'X' Square Edge			
						T	B	L	R



Qty	O/A Height	O/A Width	No Shields	Extra Rail Bottom	Extra Rail Top	'X' Square Edge			
						T	B	L	R



Qty	Drawer Type	Height	Width	'X' Square Edge				Drawer Size						
				T	B	L	R	1	2	3	4	5		