

Customer: John Citizen CABINETS
 Address: 19 Newcastle Road
Brayswater
 Contact: John
 Phone: (03) 9720 0533
 Fax: (03) 9720 0805

Page No.: 1 of ____
 Customer Order No.: JD01
 Date Ordered: 1-1-07
 Date Required: Allow 10 working days!

Alterations and cancellations must be made within 4 hours of the order being placed. Any alterations and cancellations after this time could incur a charge. All alterations must be in writing quoting the order number.

Door Type: Murray

Arched: Square:
 Put a cross in circle

Door Colour: New Antique

Texture: Satin: Gloss:

Edge Detail:

Edge mould as per brochure unless otherwise stated

6mm Pencil Round

Ogee

Stepped Pencil Round

2mm Pencil Round

Line No.	Qty.	Height (mm)	Width (mm)	'X' For Square Edge				Description (e.g Door, Panel, Drawers)	Customer Use
				T	B	L	R		
01	2	717	398					Doors	
02	2	717	318				✓		
03	2	717	398					Single Pane Frame	
04	2	717	398					Four Pane Frame	
05	1	650	320	✓	✓		✓	Panel as Door	
06	1	1370	100	✓	✓	✓	✓	Filler	
07									
08	1	650	800		✓	✓	✓	Appliance Frame	
09			Min -	40	-	40	40		
10	*Note: Tick is required for no edge detail on plain panels								
11									
12	1	720	320	✓	✓	✓	✓	Panel - No Face Rout	
13	1	900	600					Panel - No Face Rout	
14	1	2400	300	✓	✓	✓	✓	Kicker Blank	
15									
16	1	2400	600	✓	✓	✓	✓	Double Sided* *Only Available as Panel	
17									
18	1	900	600	✓	✓	✓	✓	100mm Return*	
19									
20	1	4000	1400					Loose Foil	
21									
22	1	400	600					M.W. Frame	
23			Min -	40	40	40	40		

Customer: John Citizen CABINETS
 Address: 19 Newcastle Road
Brayswater
 Contact: John
 Phone: (03) 9720 0533
 Fax: (03) 9720 0805

Page No.: ___ of ___
 Customer Order No.: JD01
 Date Ordered: 1-1-07
 Date Required: Allow 10 working days!

Door Type: **Murray** Arched: Square: Door Colour: **New Antique**
 Put a cross in circle Texture: Satin: Gloss:

Edge Detail: Put a cross in circle

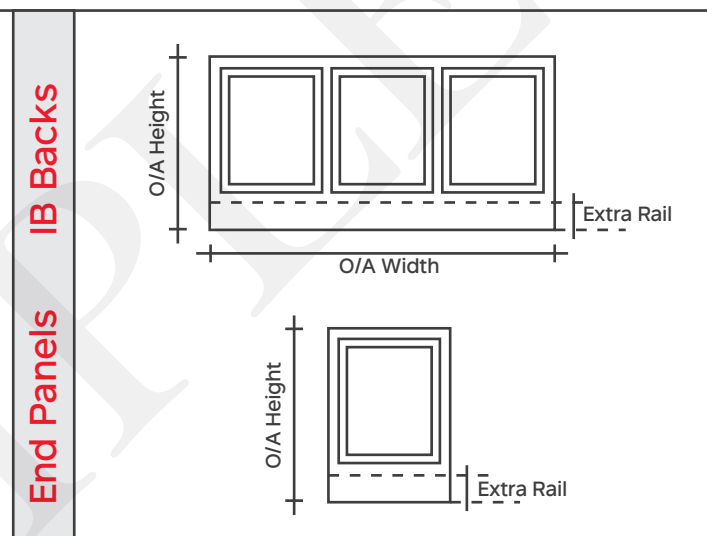
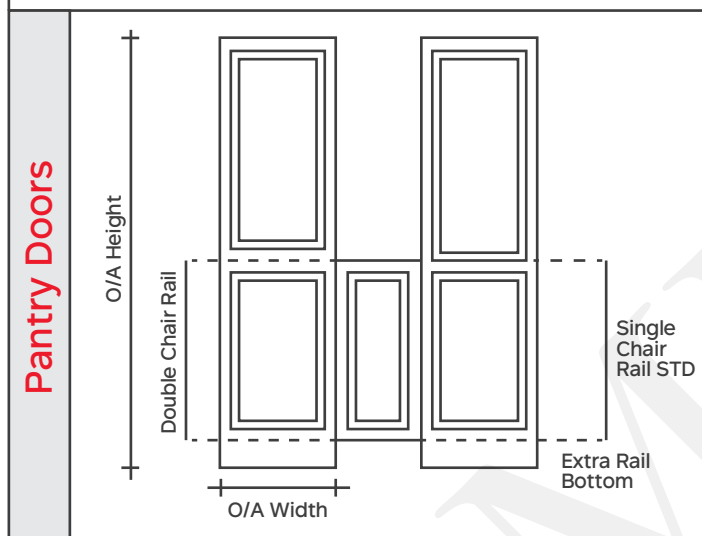
Edge mould as per brochure unless otherwise stated

6mm Pencil Round

Ogee

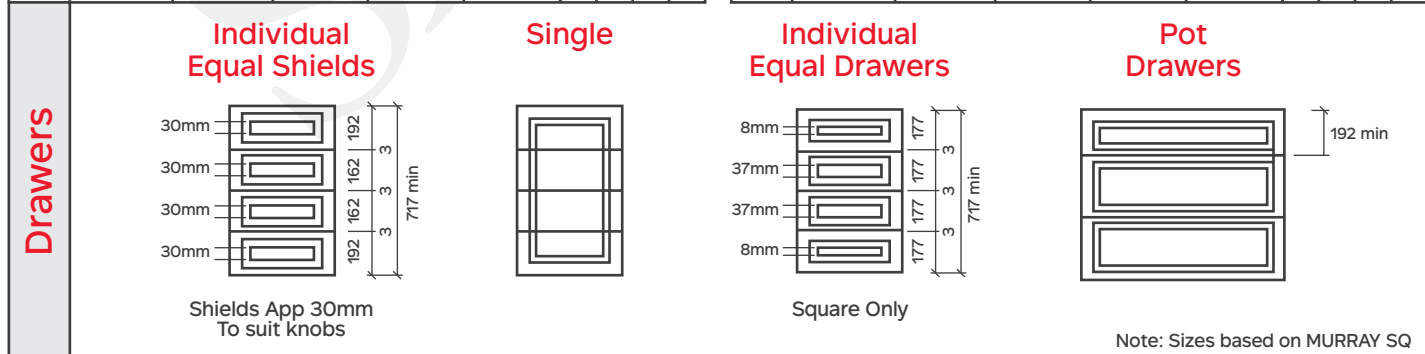
Stepped Pencil Round

2mm Pencil Round



Qty	O/A Height	O/A Width	No Shields	Extra Rail Bottom	Extra Rail Top	'X' Square Edge			
						T	B	L	R
1	2400	600	720	Single	145				
1	2255	600	720	Single	-				
Note: No Extra Rail									
Note: With Extra Rail									

Qty	O/A Height	O/A Width	No Shields	Extra Rail Bottom	Extra Rail Top	'X' Square Edge			
						T	B	L	R
1	3	865	2250	145	-	✓	✓	✓	
1	1	865	580	145	-	✓	✓		
1	1	717	580	-	-				



Qty	Drawer Type	Height	Width	'X' Square Edge				Drawer Size			
				T	B	L	R	1	2	3	4
1	Single	717	447					177	177	177	177
1	Indv-Equal Drawers	717	447					177	177	177	177
1	Indv-Equal Shields	717	477					192	162	162	192
1	Indv-Equal Drawers	717	897					192	260	260	

Legend O/A = Overall

Drawer Height Required